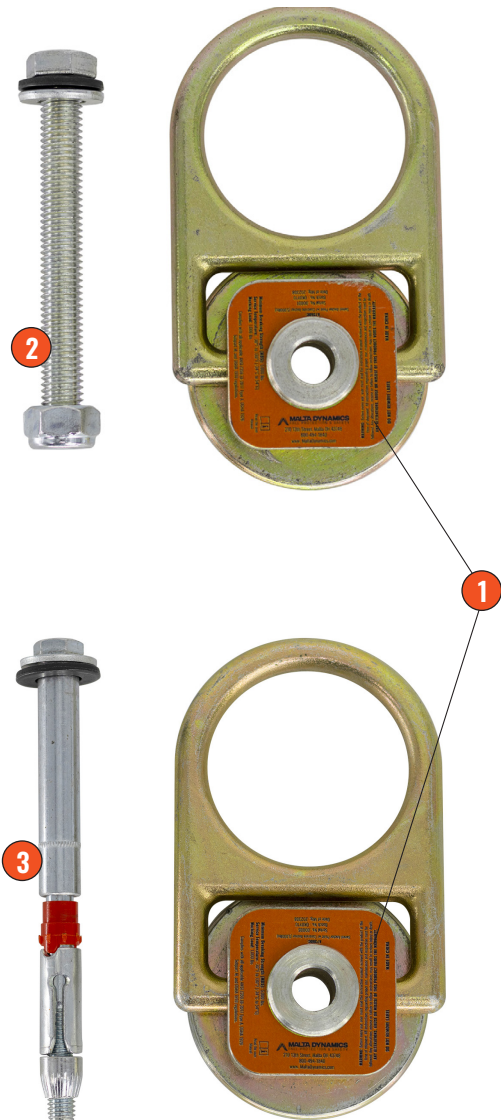




5K SWIVEL ANCHOR

The Malta Dynamics 5K Swivel Anchor is a reliable safety anchor designed for workers at heights, suitable for use in both steel and concrete applications. This anchor is built tough to ensure workers' safety, meeting or exceeding industry standards for fall protection. It can be easily integrated into steel structures and concrete applications, providing a secure attachment point.

With a 5,000-pound minimum breaking strength, this swivel anchor is strong and durable, offering workers the stability they need when working at heights. Its 360 degree swivel design with the ability to flip 180 degrees allows for easy movement, reducing the risk of entanglement and ensuring freedom of motion.



KEY FEATURES

1. Swivels full 360°
2. A7360 can be used for steel substrates
3. A7360C can be used for concrete substrates

- Simple mount and bolt on system
- Easy installation and removal
- Great for first-man-up system

PERFORMANCE SPECIFICATIONS

Worker Capacity Range	130-310 lbs. Max
Minimum Breaking Strength	5,000 lbs. Max
Dimensions	7" X 4.5" X 2.5"

MATERIALS SPECIFICATIONS

Anchor	Zinc Plated Steel
--------	-------------------

FALL PROTECTION STANDARDS

OSHA	1926 Subpart M, 1910
ANSI	Z359.18-2017 & A10.32-12

PART

WEIGHT

A7360	1.5 lbs.
A7360C	1.7 lbs.